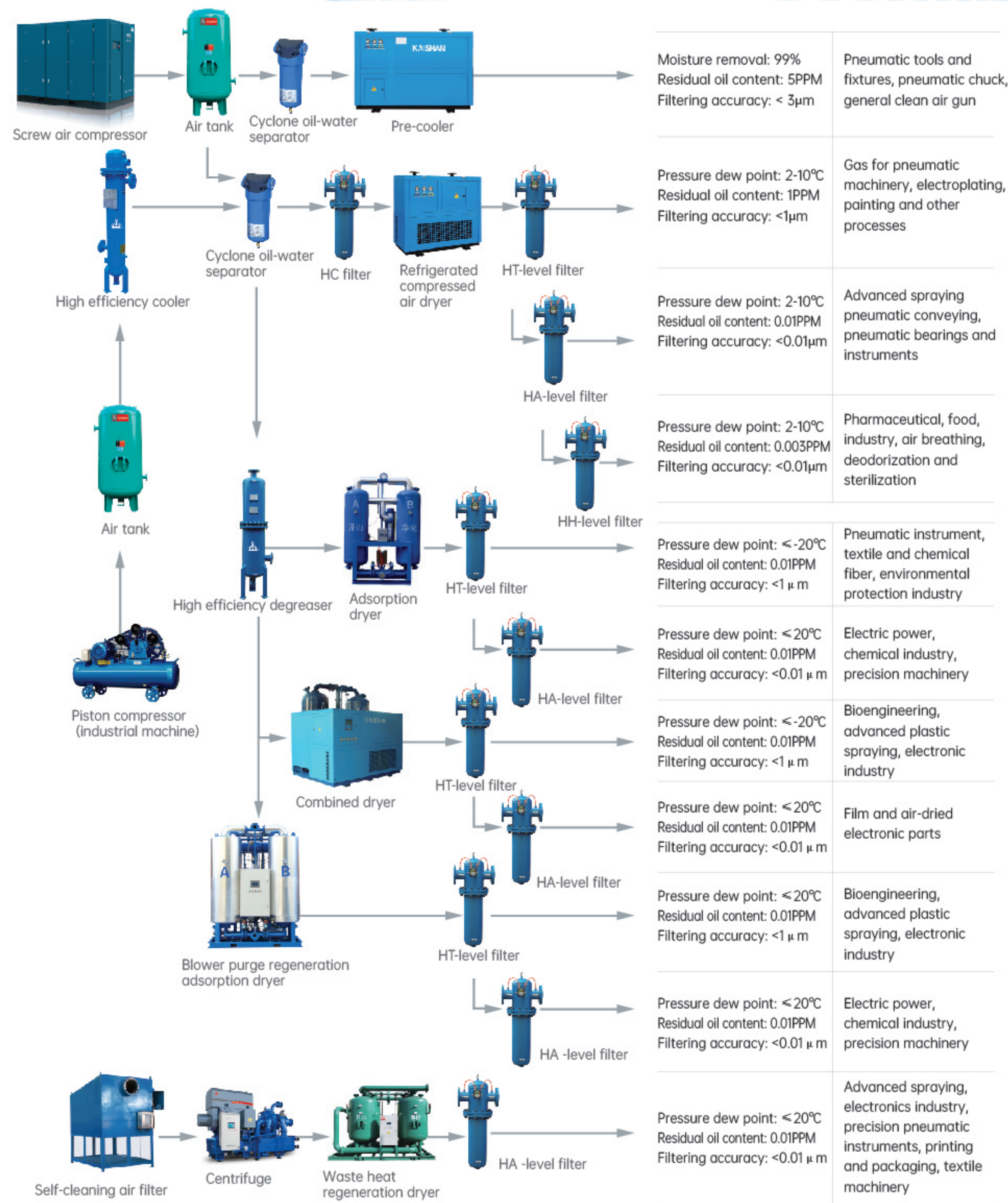


## Configuration of Compressed Air Drying and Purification System



# KAISHAN

## Air Compressor Post-treatment Equipment

 **Zhejiang Kaishan Purify Equipment Co.,Ltd.**

Address: No.9 Kaixuan South Second Road, Donggang Economic Development Zone, Quzhou City, Zhejiang Province  
Tel: 0570-3662075

Fax: 0570-3863220 3662283  
E-mail: xu.tao@kaishangroup.com  
http://www.kaishancomp.com

Note: The data and technical parameters in the sample are subject to change without prior notice. Please contact Kaishan Purify Equipment in time and subject to the final data confirmed by Kaishan Purify Equipment.  
Printing date: October 2022



Zhejiang Kaishan Purify Equipment Co.,Ltd.



# KAISHAN PURIFY EQUIPMENT

Zhejiang Kaishan Purify Equipment Co., Ltd., a wholly-owned subsidiary of Zhejiang Kaishan Compressor Co., Ltd., is dedicated to developing compressed air purification and energy-saving equipment based on the strong manufacturing base of Kaishan Group and its worldwide distribution network.

Zhejiang Kaishan Purify Equipment Co., Ltd. is specialized in R&D and manufacturing oxygen generator, nitrogen generator, refrigerated compressed air dryer, adsorption dryer, combined air dryer, filter, compressed air precooling unit, oil-water separator, high-efficiency degreaser, high-efficiency air cooler, self-cleaning air filter and compressed heat regeneration adsorption dryer. According to the needs of customers, we can provide air-cooled, water-cooled, high-temperature, instrument, single-chip microcomputer, programmable, variable frequency, high pressure, explosion-proof, environmental protection and other forms and characteristics of air compressor post-treatment equipment. The products are widely used in electric power, electronics, metallurgy, machinery, automobile manufacturing, petroleum, chemical industry, textile, chemical fiber, papermaking, rubber, instrument, food, air separation, cigarette, medicine, biology, daily chemical and other industries. Besides, our products are sold all over the country, as well as to the United States, Canada, Russia, Mexico, East Asia, the Middle East, Australia and Africa.

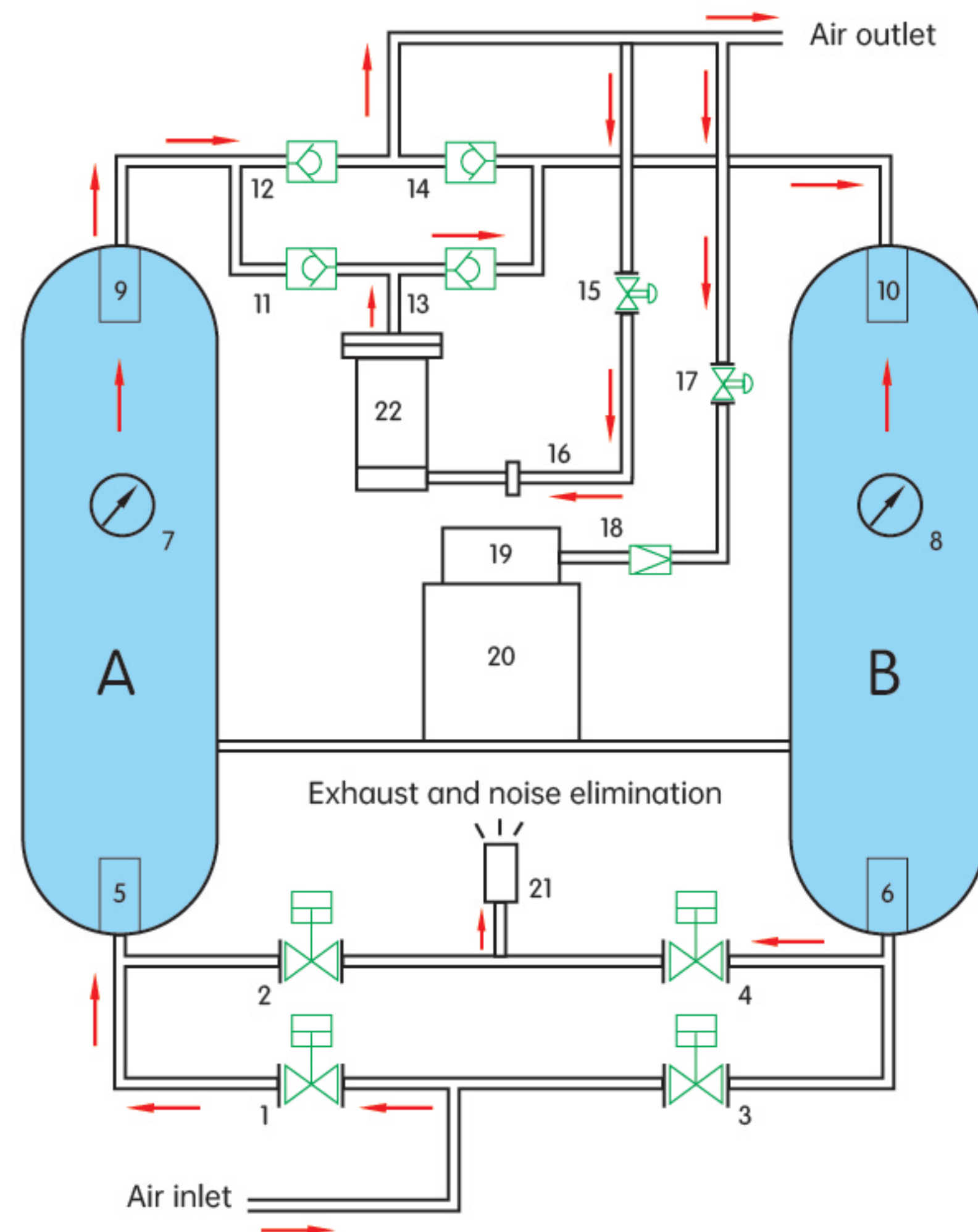
With first-class international advanced production equipment, strong design, development and production capacity, perfect quality assurance system, we have been constantly accumulating and summarizing our life experience and absorbing advanced technology from home and abroad in the air compression industry to ensure the high performance and reliability of the products.

Kaishan Purify Equipment will wholeheartedly provide the best service to our customers with our high quality products, highest efficiency and sincere attitude.



## Micro-heat Regeneration Adsorption Dryer

### Flowchart



A, B	Adsorption drying cylinder
1, 2, 3, 4	Pneumatic valve
5, 6, 9, 10	Diffuser
7, 8	Pressure gage
11, 12, 13, 14	Check valve
15, 17	Control valve
16	Restriction orifice
18	Air source regulator
19	Solenoid valve group
20	Program control box
21	Exhaust muffler
22	Electric heater

### Product Introduction

This series of products have the advantages of heat regeneration and heatless regeneration, and the regeneration gas is slightly heated, thus reducing the gas consumption of regeneration and achieving energy saving. It avoids not only the shortcomings of short switching time and large regenerative air loss of the heatless regeneration adsorption dryer, but also those of large electric energy loss of the heat regeneration adsorption dryer. The dryer, characterized by reasonable switching time and low regeneration gas consumption, is the most economical and energy-saving adsorption dryer in the chemical industry at present. It is widely used in metallurgy, electric power, electronics, food, chemical industry, petroleum, medicine, textile, tobacco, instrumentation, automatic control and other industries.

## Micro-heat Regeneration Adsorption Dryer

### Working Condition and Technical Data

Design pressure dew point: standard -20°C (products with pressure dew point of -40°C and -70°C are available)  
 Inlet temperature: 20-45°C  
 Working pressure: 0.6-1.0Mpa  
 Desiccant: combination of standard activated alumina, low dew point product activated alumina and 5A molecular sieve  
 Working mode: continuing alternative working between two towers  
 Control mode: microcomputer program control  
 Inlet oil content: ≤0.1ppm  
 Pressure loss: ≤3% of inlet pressure  
 Purge air: ≤6-8%  
 Purge mode: micro-thermal regeneration  
 Heater voltage: 1-8Nm<sup>3</sup>/min, 220V; 10Nm<sup>3</sup>/min and above, 380V  
 Working periods: 1-20Nm<sup>3</sup>/min, 120min; 25-50Nm<sup>3</sup>/min, 240min; 60-100Nm<sup>3</sup>/min, 360min; 100Nm<sup>3</sup>/min, 480min;  
 Installation method: foundation-free installation



### Parameters for Micro-heat Regeneration Adsorption Dryer

Model	Item	Air handling capacity (Nm <sup>3</sup> /min)	Heater power (KW)	Desiccant weight (kg)	Diameter of air nozzle	Net weight (KG)	Length (mm)	Width (mm)	High (mm)
KSAD-1MXF		1.2	0.5	26	Rp1"	140	988	450	1079
KSAD-2MXF		2.5	1	50	Rp1"	196	988	450	1552
KSAD-3MXF		3.6	1.2	75	Rp1"	220	1096	460	1470
KSAD-4.5MXF		4.8	1.5	100	Rp1 1/2"	272	1146	460	1821
KSAD-6MXF		6.8	2.1	136	Rp1 1/2"	352	1275	405	1816
KSAD-8MXF		8.5	3	184	Rp2"	443	1275	405	2266
KSAD-10MXF		12.8	4	254	Rp2"	558	1427	463	2300
KSAD-15MXF		16	5	310	DN65	983	1616	498	2362
KSAD-20MXF		22	6	492	DN65	1271	1866	598	2400
KSAD-25MXF		26.8	8	576	DN80	1371	1866	598	2703
KSAD-30MXF		32	10	705	DN80	1550	1962	658	2757
KSAD-40MXF		43.5	12	1008	DN100	2002	2166	762	2819
KSAD-50MXF		53	15	1171	DN100	2393	2236	822	2930
KSAD-60MXF		67	18	1560	DN125	3052	2412	1190	2866
KSAD-70MXF		78	18	1820	DN125	3243	2620	1288	2866
KSAD-80MXF		90	27	2220	DN125	3698	2960	1440	2914
KSAD-100MXF		110	36	2370	DN150	4926	3124	1600	3108
KSAD-120MXF		130	42	2848	DN150	5694	3420	1725	3162
KSAD-150MXF		160	54	3374	DN200	6140	3824	1920	3396
KSAD-200MXF		210	72	4580	DN200	8638	4224	1970	3533
KSAD-250MXF		260	100	5920	DN250	10960	4324	2060	3692
KSAD-300MXF		310	120	6780	DN250	11843	4824	2335	3819

Note: The technical standard of pressure for the above parameters is 0.7Mpa.

If the working pressure is less than 0.6Mpa or more than 1Mpa, please ask Kaishan Purify Equipment for product technical data.